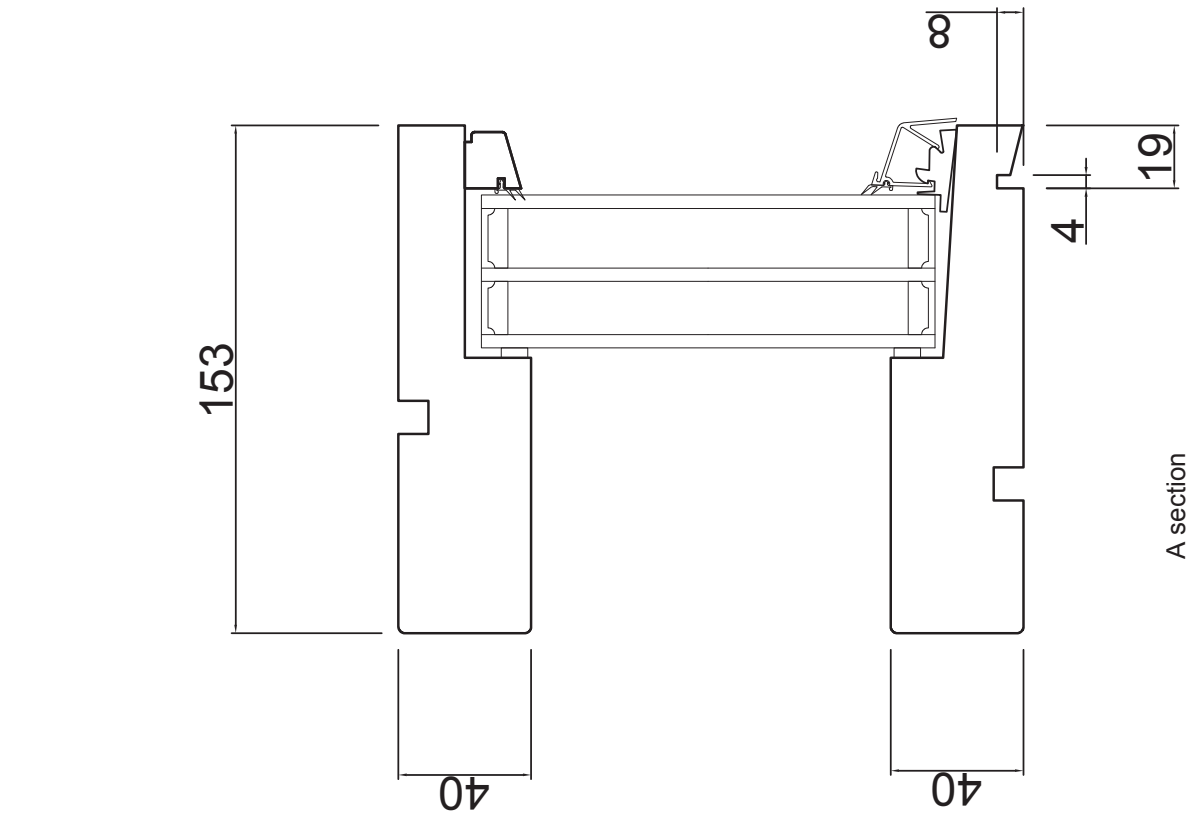
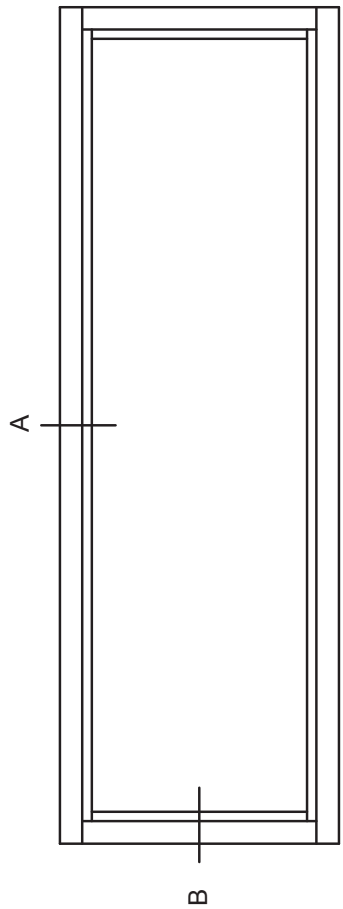
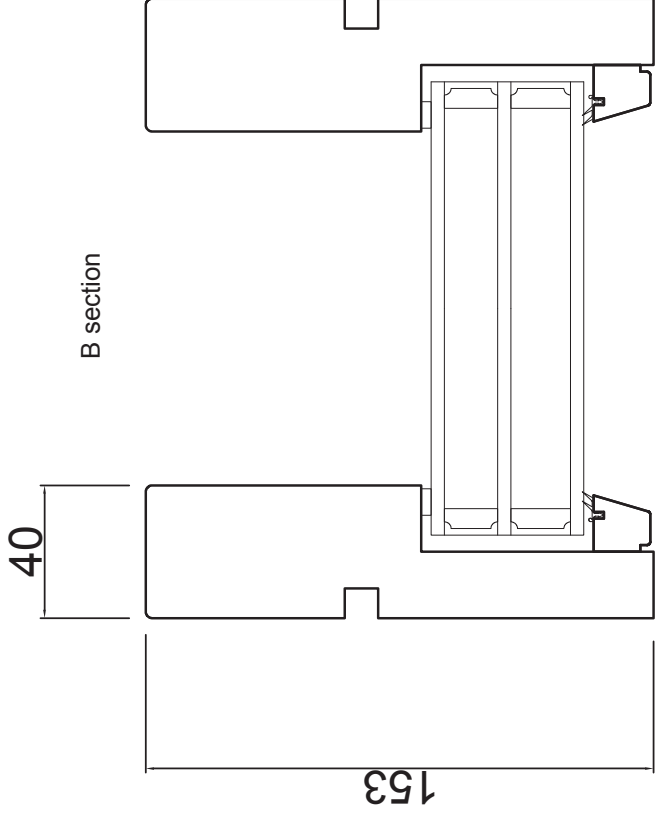


Rev.	Description	Rev. by	Date



Designed by	AE	Designed date	2018-07-05	Product Category	Door	Processing Code	
Approved by	AE	Approver date	2018-07-05	Product Type	Sliding	Material	
				Elifönster Skjutdörr Trä		Tolerances unless otherwise specified	View orientation
				Överljus		Article Number	ESPÖ
				Elifönster Sliding Door Wood		Drawing Number	86-37-05
				Overlight		Revision	A

